

MDX-R3 FOR ADJUSTABLE CONCRETE POOLS OWNER'S MANUAL MAINTENANCE AND INSTALLATION GUIDE

SUBMERGED SUCTION OUTLET
FOR MULTIPLE DRAIN USE FOR USE ON FLOOR



Safety compliant according to the Virginia Graeme Baker Pool and Spa Safety
Act ANSI/APSP - 16 - 2011
Compliant with ANSI/APSP - 7 - 2006.

NOTICE

To Installers: Read and follow these instructions. Give these instructions to the facility owner to keep for future reference. Follow all codes and regulations that apply to the design, installation and use of suction outlet fittings.



WARNING

MDX-R3 and SDX2 must be installed in accordance with Paramount's written instruction manual, and in conformity with applicable Federal, State, Local and Swimming pool industry building and safety codes.



Paramount

Pool Life. Simplified.

295 East Corporate Place • Suite 100 • Chandler, AZ 85225

Toll Free: 1.800.621.5886 • Phone: 480.893.7607 • Fax: 480.753.3397

Paramount@1Paramount.com • www.1Paramount.com

US and Foreign patents and patents pending see www.1paramount.com/about/patents/

 **DANGER**

DEATH or **SERIOUS INJURY** will result from pool or spa drain covers or grates that are improperly installed, missing, clogged, or broken.

- Inspect pool and spa before each use to ensure that drain covers and grates are properly in place and secured.

MAINTENANCE INSTRUCTIONS & WARNINGS:

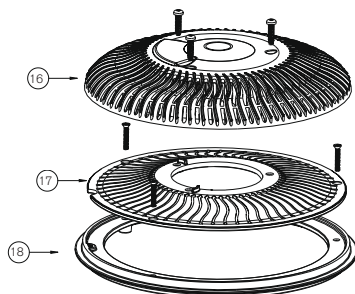
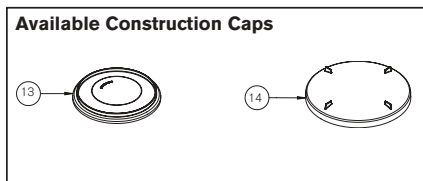
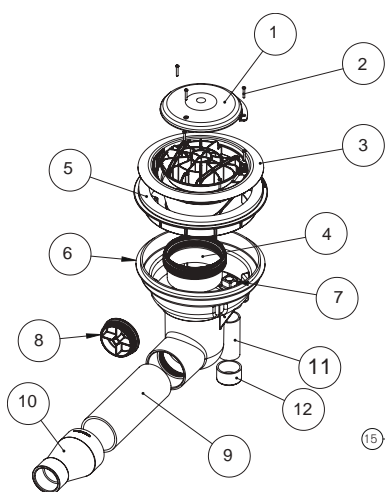
 **WARNING**

DEATH or **SERIOUS INJURY** can result from pool or spa drain covers or grates that are clogged by debris.

- All pool and spa drain covers may become obstructed by debris and should be cleaned periodically due to clogging from debris, such as pieces of plastic, hair, fabric, twigs, leaves, seeds, etc.
- The frequency of periodic cleaning will vary depending on the amount and type of debris introduced into the pool or spa
- Clogging of the drain cover will increase the suction effect and increase the likelihood of death or serious injury from those hazards listed above.
- A clogged drain can negatively affect the safety of the drain.
- It is advisable to have a qualified pool or spa professional perform this inspection and debris removal from the pool an spa drain covers.

MDX-R3 CONCRETE POOLS PART NUMBERS

Replace cover within 05 installed years



Item	Part Number	Description
1	005-252-2110-XX	Cover (XX = Color Code)
2	005-262-0840-00	Screw Pack (7pcs)
3	005-252-8234-XX	Funnel Assembly (Includes Support, Cover, Screws and Adaptor)
4	005-252-1045-00	Funnel Adaptor
5	005-252-2045-00	Leveling Ring
6	005-262-2028-00	Sump
7	005-252-1605-00	2" Plug NPT (6pcs)
8	005-252-1610-00	4" Plug with O-Ring
9	005-252-5524-00	Enlarged Suction Element
10	005-252-2550-00	Coupler Reducer 4" X 2 1/2"/3"
*11		2" Pipe - Not Included - Cap If Not Used
*12		2" Cap - Not Included - Cap If Not Used
*13	005-262-1153-00	Plaster Cap
14	005-262-1150-00	Sump Construction Cap
15	005-252-0895-00	T25 Security Screwdriver
16	005-525-2097-XX	SDX2 High Flow Safety Drain
17	005-252-2066-00	SDX2 Support Concrete
18	005-252-2050-00	SDX2 Ring Concrete

* Not part of MDX-R3